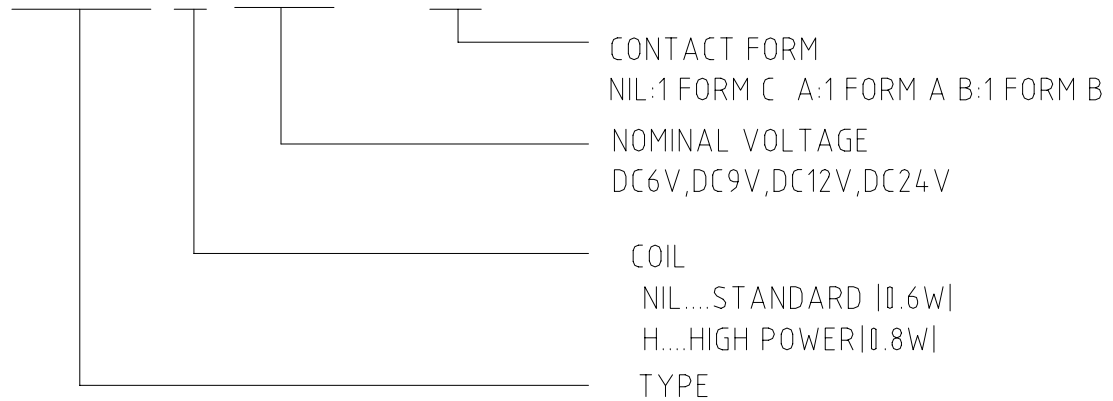


ORDERING CODE 订购代码

HLS-T78-H-DC12V - A



CONTACT DATA 触点参数:

Contact Form	触点形式	1A/1B/1C
Contact Material	触点材料	Ag Alloy
Contact Ratings	触点负载	NO:20A 14VDC/10A120VAC NC:12A 14VDC/10A120VAC      1C:7A 120VAC
Max Switching Voltage	最大转换电压	16VDC/120VAC
Max Switching Current	最大转换电流	25A
Max Switching Power	最大转换功率	840VA/400W
Initial Contact Resistance	接触电阻 (首次)	100mΩ Max      at6VDC 1A
Life Expectancy Electrical	电气寿命	100,000      Operations (rated load)
Life Expectancy Mechanical	机械寿命	10,000,000      Operations (no load)

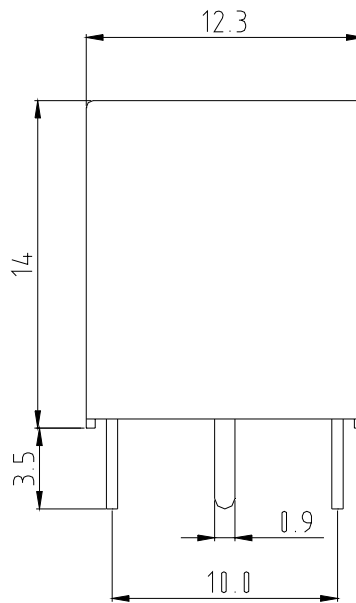
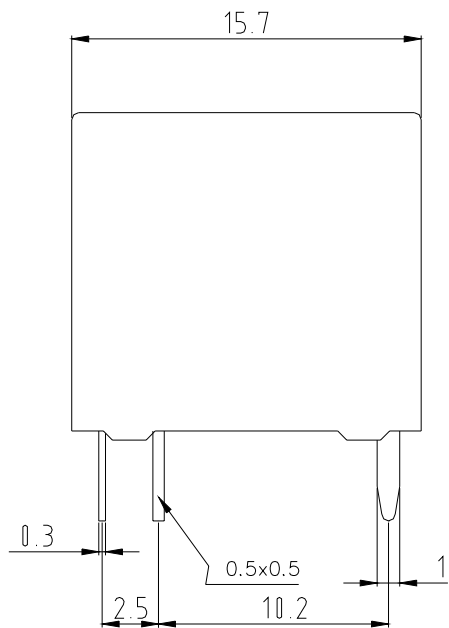
GENERAL DATA 一般参数:

Insulation Resistance	绝缘阻值	100MΩ min at500VDC	
Dielectric Strength Between Open Contacts	触点间耐压	500VAC 50-60HZ (1minute)	
Dielectric Strength Between Contacts And Coil	触点与线圈间耐压	500VAC 50-60HZ (1 minute)	
Operate Time	吸合时间	10ms max	
Release Time	释放时间	5ms max	
Ambient Temperature	环境温度	-40°C to +85°C	
Shock Resistance 冲击	Malfunction	动作极限	10G
	Destruction	破坏极限	100G
Vibration Resistance	振动	10-55Hz, 1.5mm double amplitude	
Ambient humidity	湿度	40-85% RH	
Weight	重量	Approx 6g	
Safety Standard	安全标准	UL	

COIL DATA 线圈参数: (@20°C)

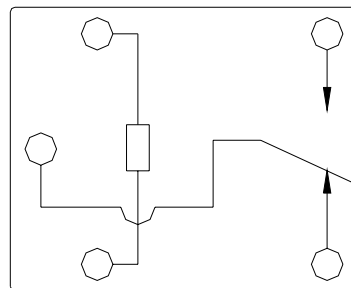
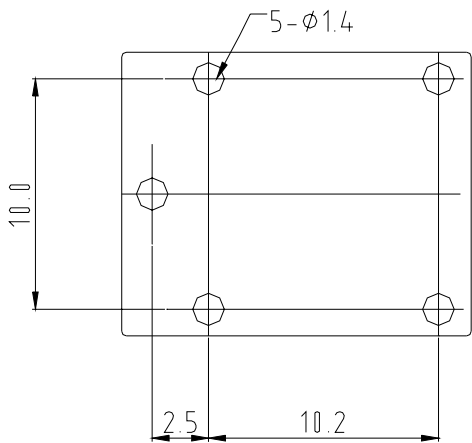
Rated Voltage 额定电压 (VDC)	Coil Resistance Ω (±10%) 线圈阻值		Max Operate Voltage 最大吸合电压 (VDC)	Min Release Voltage 最小释放电压 (VDC)	Max Applied Voltage 最大允许电压 (VDC)
	0.6W	0.8W			
6	60	45	3.9	0.6	7.8
9	135	101	5.85	0.9	11.7
12	240	180	7.8	1.2	15.6
24	960	720	15.6	2.4	31.2

Outline Dimension 外形尺寸(mm)



PC Board layout 安装图

Wiring Diagram 接线图



(Bottom View)底视

(Bottom View)底视